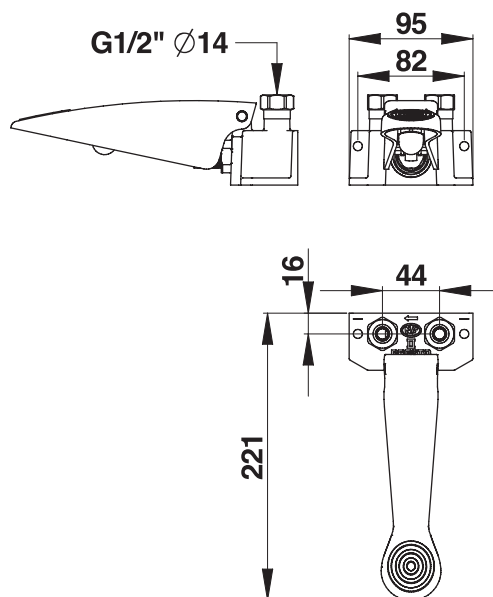


**Range:** Single deck-mounted tap

**Ref:** 23614 - PRESTO SOL 520 single foot-pedal



#### > Working pressure :

- 1 to 5 bar

#### > Flow :

- 6 l/min at 3 bar - 4-position flow adjustment device
- Anti-water-hammering design

#### > Flow time :

- 3 to 5 seconds

#### > Operation :

- Foot-operated activation through pedal

#### > Hydraulic supply :

- Inlet M G 1/2" (15x21) - Cold or premixed water

#### > Material and colour finish :

- Brass body and components with molded chrome treatment
- Technical polymer

#### > Thermal resistance :

- Resistant to a temperature of 75°C for 30-minute-thermal-shocks

#### > Delivered with :

- 1 Gasket nut
- 1 Coupling nut
- 1 Nut for 12x14mm tube
- Instruction manual

#### > Standards & approvals :

- Acoustic class II
- Brass body in accordance with EN 1982, EN 12164, EN 12165
- Molded chrome-plated body in accordance with EN 12540
- 200-hour neutral salt spray resistant (NSS) in accordance with ISO 9227

